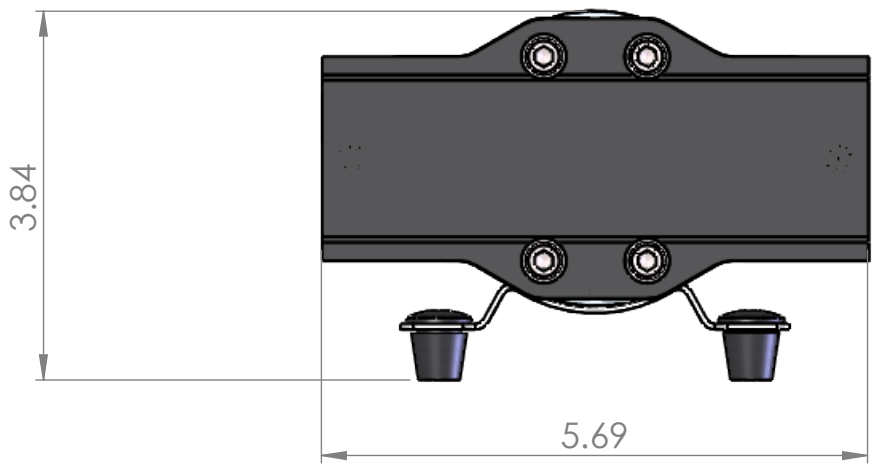
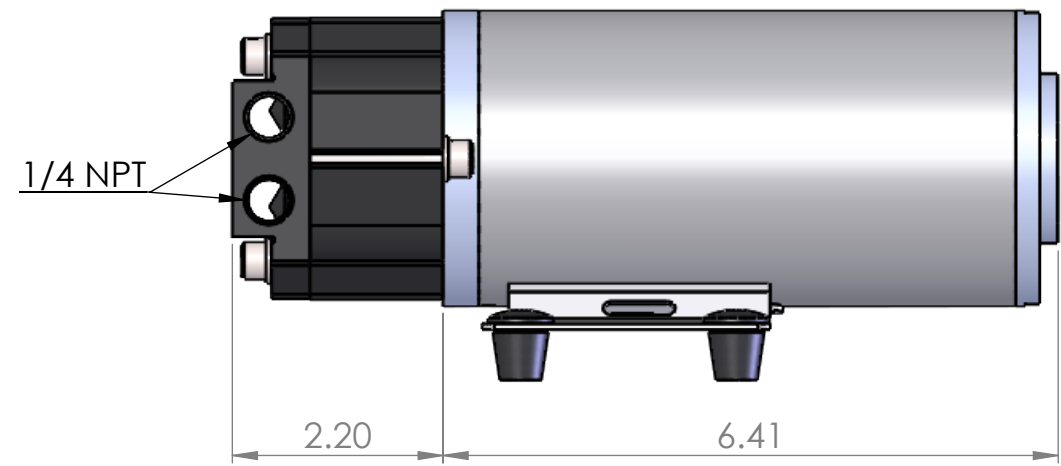


8 7 6 5 4 3 2 1

D



D

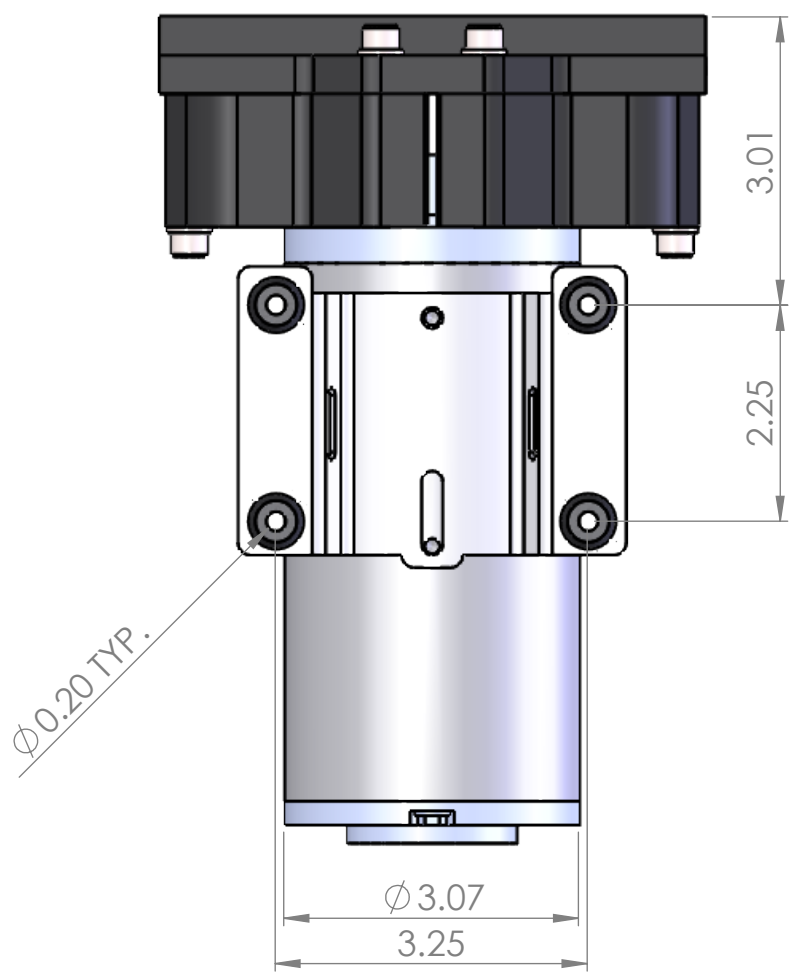


C

C

B

B



A

A

8 7 6 5 4 3 2 1

UNLESS OTHERWISE SPECIFIED:  
 DIMENSIONS ARE IN INCHES  
 TOLERANCES:  
 ANGULAR ± 1°  
 .XX ± .010  
 .XXX ± .005  
 CONCENTRIC .003  
 125/

	NAME	DATE
DRAWN		
CHECKED		
ENG APPR.		
MFG APPR.		



TITLE:

**PROPRIETARY AND CONFIDENTIAL**  
 THE INFORMATION CONTAINED IN THIS DRAWING IS THE SOLE PROPERTY OF PUMPTEC, INC. ANY REPRODUCTION IN PART OR AS A WHOLE WITHOUT THE WRITTEN PERMISSION OF PUMPTEC, INC. IS PROHIBITED.

SIZE	DWG. NO.	REV
<b>B</b>	<b>100SERIES</b>	<b>01</b>

SCALE: 1:2 SHEET 1 OF 1